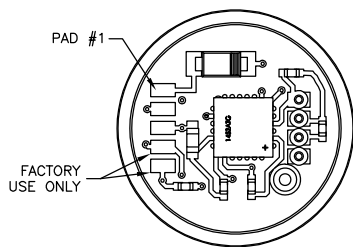
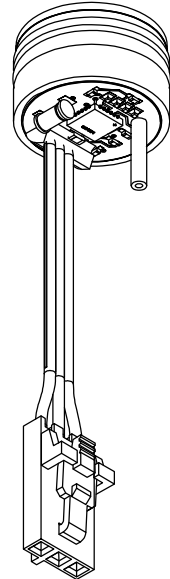
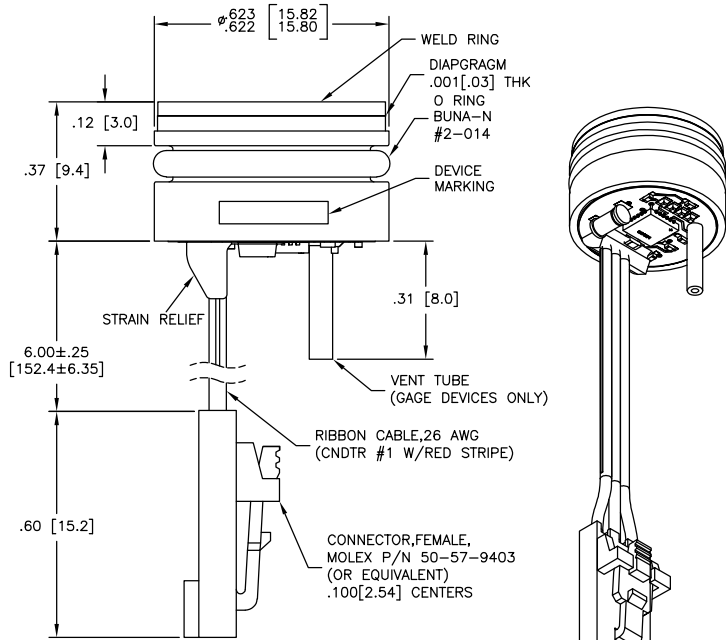
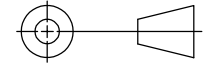


THIRD ANGLE PROJECTION



VIEW SHOWN W/O CABLE AND CONNECTOR FOR CLARITY

PAD/CNDR	FUNCTION
1	+Vin
2	GND
3	+Vout

OUTPUT
3=0.5 TO 4.5V RATION

ELECTRICAL
P=SOLDER PADS
R=6" RIBBON CABLE
C=6" RIBBON CABLE W/CONNECTOR
X=SPECIAL

### ORDERING INFORMATION

SA86A 3 X - XXXXX X - XXXX X

CUSTOM P/N
00000=STANDARD P/N

PRESSURE PORT
0=STANDARD P/N
X=SPECIAL

PRESSURE RANGE	
PSI	BAR
001P*	.07B*
002P*	
005P*	.35B*
015P	001B
030P	002B
050P	005B
100P	007B
150P	010B

PRESSURE TYPE
A=ABSOLUTE
G=GAGE

\*GAGE ONLY

INTERMEDIATE RANGES AVAILABLE, CONTACT FACTORY.

UNLESS OTHERWISE SPECIFIED:

ALL PARAMETERS ARE MEASURED AT 5.0VDC AND AT 25°C

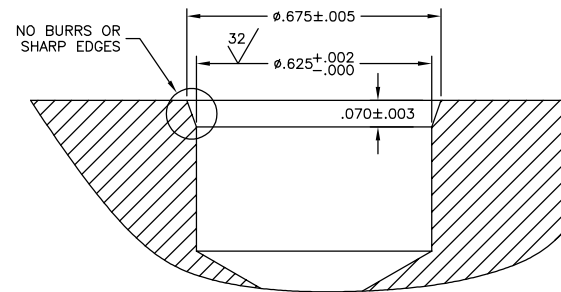
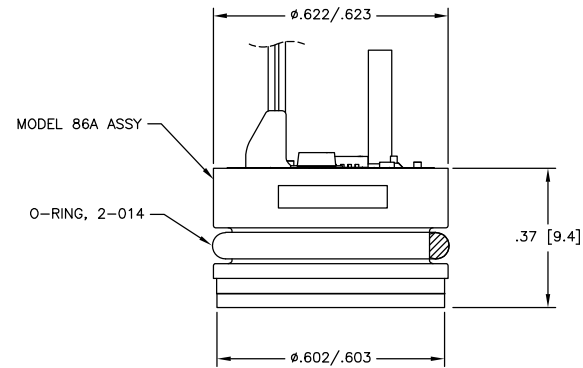
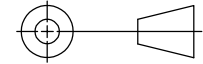
PARAMETERS	MIN	TYP	MAX	UNITS	NOTES
SPAN		4.5		V	
ZERO PRESSURE OUTPUT		0.5		V	
PRESSURE NON-LINEARITY	-1.0	±0.3	+1.0	% SPAN	1
PRESSURE HYSTERESIS	-0.10		+0.10	% SPAN	
REPEATABILITY	-	±0.02	-	% SPAN	
TEMPERATURE ERROR, SPAN (0° TO 40°C)	1.2PSI AND 0.07BAR: ±2.0; ≥5PSI OR ≥.35BAR: ±1.5			% SPAN	2
TEMPERATURE ERROR, ZERO(0° TO 40°C)	1.2PSI AND 0.07BAR: ±2.0; ≥5PSI OR ≥.35BAR: ±1.5			% SPAN	2
ACCURACY (COMBINED LINEARITY, HYSTERESIS & REPEATABILITY)		±0.25		% SPAN	1
TOTAL ERROR BAND (INCLUDES CALIBRATION ERRORS & TEMPERATURE EFFECTS OVER THE COMPENSATED RANGE)		1.2PSI AND 0.07BAR: ±7.0; 5PSI OR .35BAR: ±5 >5PSI OR >.35BAR: ±5		% SPAN	
SUPPLY VOLTAGE	4.75	5.0	5.25	V	3
INSULATION RESISTANCE (50 VDC)	50M	-	-	Ω	4
PRESSURE OVERLOAD			3X	RATED	
COMPENSATED TEMPERATURE	0	-	+40	°C	
OPERATING TEMPERATURE	-20	-	+125	°C	
MEDIA, PRESSURE PORT	LIQUIDS AND GASES COMPATIBLE WITH 316/316L ST STL				

#### NOTES:

- BEST FIT STRAIGHT LINE.
- OVER THE COMPENSATED TEMPERATURE RANGE WITH RESPECT TO 25°C.
- GUARANTEES OUTPUT/INPUT RATIONMETRICITY.
- BETWEEN CASE AND SENSING ELEMENT.
- THE MAXIMUM PRESSURE THAT CAN BE APPLIED TO A TRANSDUCER WITHOUT RUPTURE OF EITHER THE SENSING ELEMENT OR TRANSDUCER.

DIMENSIONS ARE IN INCHES
TOLERANCES (UNLESS SPECIFIED)
XX=.01 XXX=.005 ANGLES=1/2°

THIRD ANGLE PROJECTION



RECOMMENDED MOUNTING DIMENSIONS

DIMENSIONS ARE IN INCHES
TOLERANCES (UNLESS SPECIFIED)
XX=.01 XXX=.005 ANGLES=1/2°